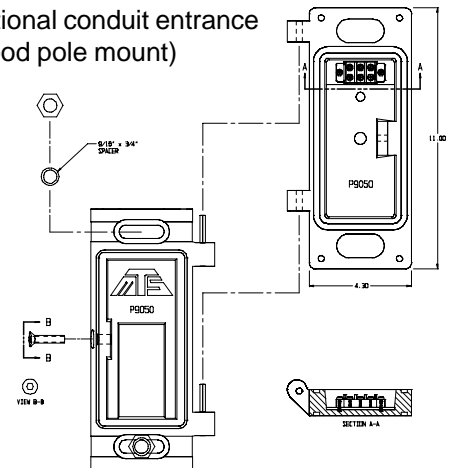


Clamshell Mounting Hardware



- Simplified installation (half mounted on pole and half mounted on signal)
- Multiple mounting methods
 - Through-bolt
 - Banding
 - Lag screw (wood pole)
- Vandal proof lock
- Dual wiring
 - Screw terminal
 - Quick disconnect
- Optional conduit entrance (wood pole mount)



Material	Cast Aluminum Alloy
Paint Finishes	Federal Yellow, Dark Olive Green, Black
Dimensions	11-1/4" H Max x 5-1/2" W Max x 2-3/4" D Max
Weight	Total weight does not exceed 7-1/2 lbs.
Construction	The clamshell consists of a two part mounting assembly. The hinge pins on the pole mounted half are stainless steel and fit into the ears on the signal mounted half. The pole half of the assembly shall be designed to fit the curvature of poles 4" in diameter and larger.
Mounting	The clamshell is mechanically designed to allow for various types of mounting such as banding, thru-bolt or lag screw mounting. The bolt holes are elongated horizontally to allow for rotation on the pole. The closed signal half of the assembly is secured to the pole half through use of a flathead socket bolt and tightened using a 3/16" Allen wrench.
Wiring	The field wiring is terminated on a horizontally mounted 3 position terminal block located in the upper half of the signal mounted half.
Miscellaneous	A neoprene gasket provides for a rain-tight seal.
Warranty	The clamshell and its associated hardware is warranted for two (2) years from the date of shipment and covers material and workmanship.

McCain reserves the right to change product specifications without notice. 03/07