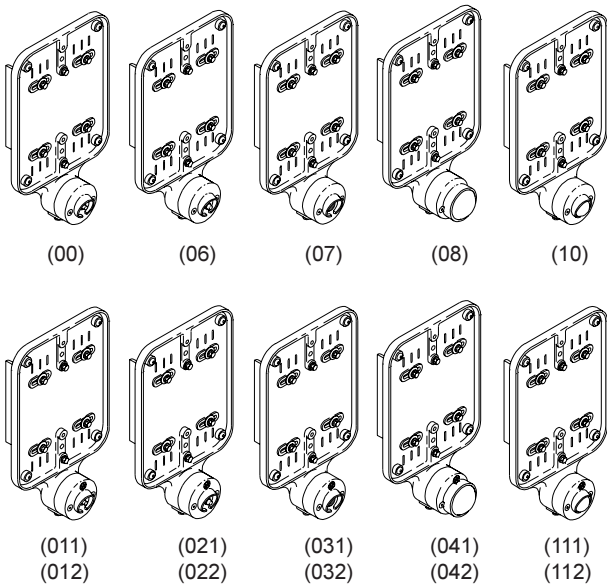
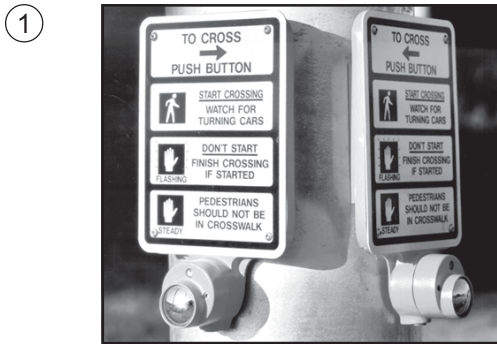


# PEDESTRIAN PUSH BUTTONS

## 9" x 12" Stations

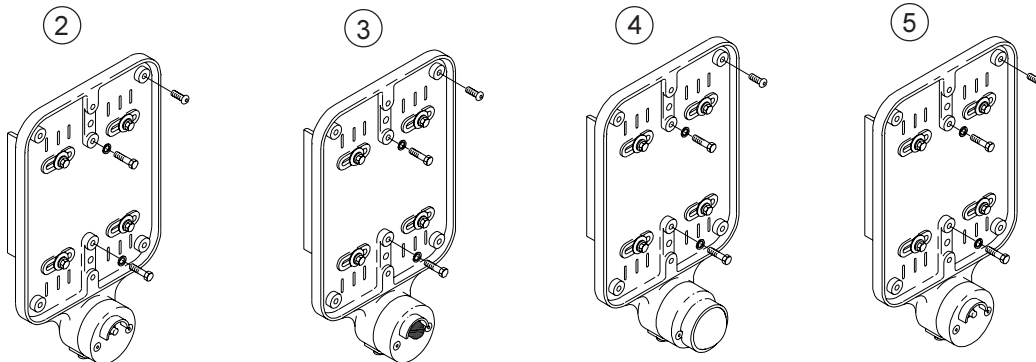
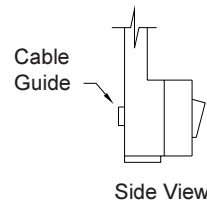


	OPTIONS		
	w/o Led	Led w/ Circuit Module	Led w/ Terminal Strip
Wire Leads	(00)	(011)	(012)
Freezeproof Boot	(06)	(021)	(022)
Freezeproof Diaphragm	(07)	(031)	(032)
2" Mushroom Plunger	(08)	(041)	(042)
1-1/8" Dome Plunger	(10)	(111)	(112)
<b>PAINT</b>			

ITEM	DESCRIPTION	PART NO.
PUSH BUTTON STATION ASSY, 9" x 12" Adjustable:		
①	w/ Long Life Switch	SE-2013
	w/ Long Life Switch & Cable Guide	SE-2019
②	w/ Snap Action Switch	SE-2066
	w/ Snap Action Switch & Cable Guide	SE-2069
③	w/ Heavy Tension Switch w/ Boot	SE-2065
	w/ Heavy Tension Switch w/ Boot & Cable Guide	SE-2068
④	w/ Mechanical Switch w/ Ball & 2" Mushroom Plunger	SE-2113
	w/ Mechanical Switch w/ Ball & 2" Mushroom Plunger & Cable Guide	SE-2114
⑤	w/ Metal Actuator Switch	SE-2021
	w/ Metal Actuator Switch & Cable Guide	SE-2022

**Notes:**

- All assemblies are supplied standard with stainless steel fasteners.
- For pedestrian signs refer to page 15 of this catalog section.
- Please specify options when ordering.
- LED can be latched on during the "Don't Walk" cycle with Pelco Isolator/LED Latch Assembly (see bulletin this section).



ITEMS 2-5 OPTIONS
PAINT